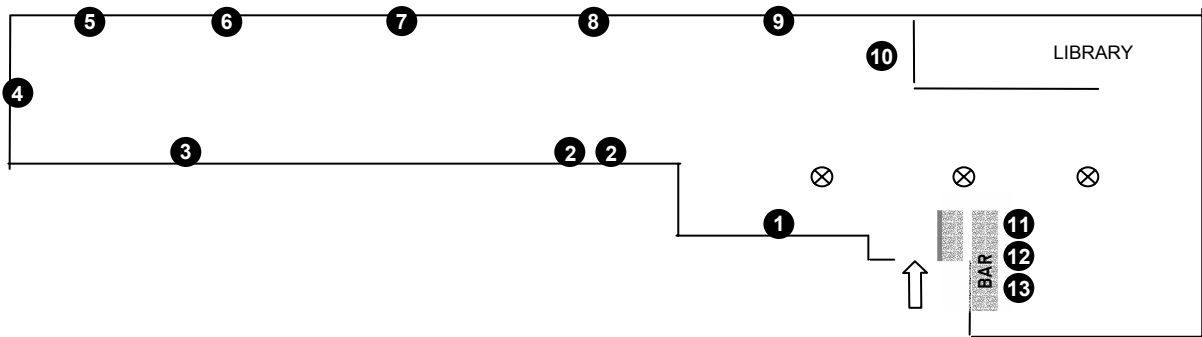


## CHECKLIST

## BEFORE THE END (THE LAST PAINTING SHOW)

ART & LANGUAGE, MICHAEL ASHER, ROBERT BARRY, IAN BURN, JAN DIBBETS, DOUGLAS HUEBLER, JOSEPH KOSUTH, LAWRENCE WEINER, IAN WILSON //  
CURATED BY OLIVIER MOSSET // SEPTEMBER 14 - OCTOBER 23 2004



1. Ian Wilson, 'Red Square', 1966, fiberglass and pigment, 52x52 cm, Courtesy of Peter Blum Gallery, NY
  2. Art & Language, 'Painting-Sculpture', 1965, acrylic on wood, 2 elements 61x30,5 cm, Courtesy of Mulier Mulier Gallery, Knokke-Zoute, Belgium
  3. Douglas Huebler, Untitled (relief painting), 1964, oil on wood, 114,5x136x13 cm, Courtesy of Darcy Huebler
  4. Robert Barry, 'Untitled', 1967, acrylic on canvas mounted on wood, 10x10 cm, Courtesy of Gasser & Grunert, Inc, NY
  5. Art & Language, 'Untitled Painting', 1965, mirror on canvas, 2 elements 102x61x10 cm, Courtesy of Mulier Mulier Gallery, Knokke-Zoute, Belgium
  6. Joseph Kosuth, 'Post Painting', 1963-64, acrylic on canvas, 20x20x7 cm, Courtesy of the artist and Sean Kelly Gallery, NY
  7. Ian Burn, 'Blue Reflex', 1966-67, car laquer over epoxy base on plywood panel, 119,5x79,5x3,4 cm, Courtesy of DaimlerChrysler AG
  8. Michael Asher, 'No Title', 1966-2004, Canvas over Forty-Five degree wooden, stretcher, 121,9x121,9 cm, Courtesy of the artist
  9. Lawrence Weiner, Untitled, 1966, acrylic on canvas, 38x34 cm, Courtesy of Fischer Collection, Düsseldorf
  10. Jan Dibbets, 'Stapelschilderij', 1967, oil on canvas, 8 elements 40x40x2,3 cm, Courtesy of Bonnefantenmuseum, Maastricht
  11. Alexander Costello, 'All You Need To Know Right Now II', 2001, DVD, Courtesy of the artist
  12. Alexander Costello, 'All You Need To Know Right Now III', 2002, DVD, Courtesy of the artist
  13. Alexander Costello, 'All You Need To Know Right Now I', 2001, DVD, Courtesy of the artist
- Lobby Box:  
Alexander Costello, "She's Still A Woman With Feelings", 2004, ink on paper, 33x24 in  
Courtesy of the artist